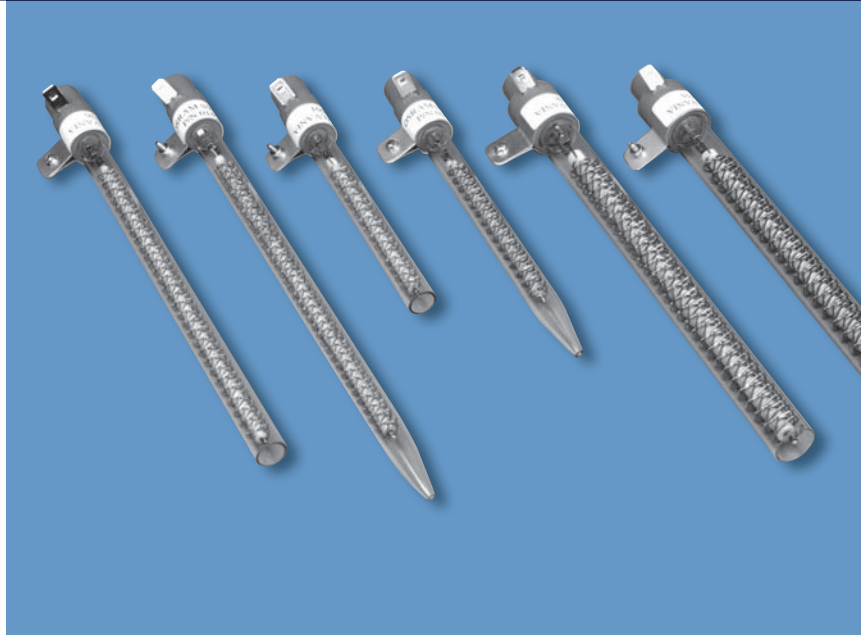


Series I, II, III Heaters

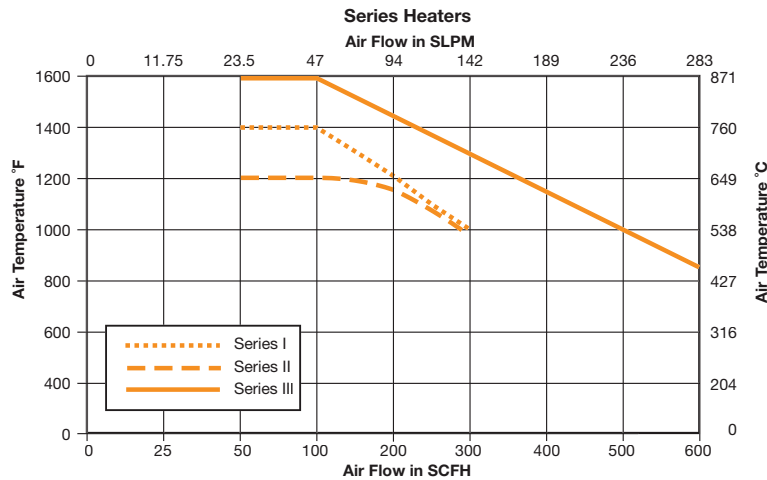


Specifications

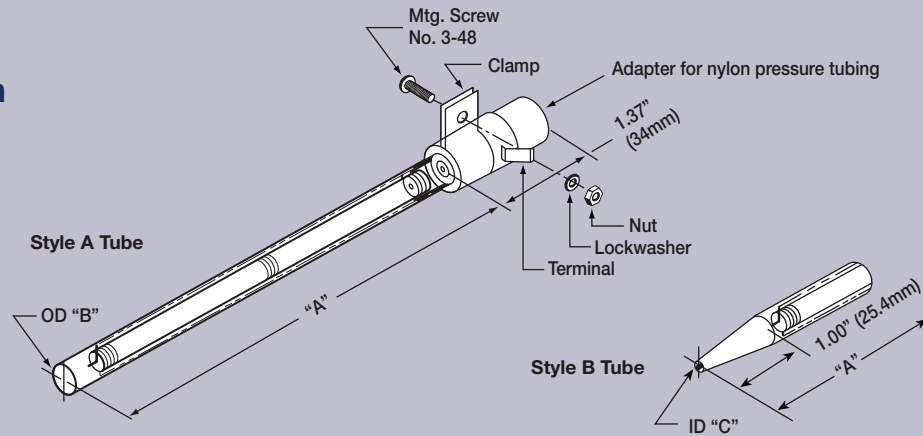
- Air temperature controllable to 1600°F (871°C)
- Quartz outer tube housing
- Nozzled (Style B) or open-ended (Style A) design
- High-temperature silicone rubber rear adapter/terminal assembly
- Maximum air pressure 7 psi (0.5 bar)
- Maximum inlet temperature 120°F (49°C)
- Recommended minimum airflow 1 SCFM (60 SCFH)
- RoHS compliant



Performance



Installation



Products

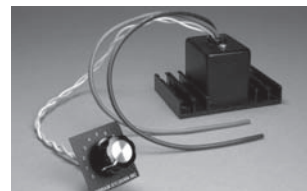
Part Number	Tube Style	Max. Watts	Max. Volts	Tube Length "A"	Tube O.D. "B"	Nozzle I.D. (Style B) "C"
Series I						
010226	A	1050W	180	6.88" (175mm)	.41" (10mm)	—
014372	A	1000W	130	7.75" (197mm)	.41" (10mm)	—
014682	B	680W	145	7.88" (200mm)	.41" (10mm)	.07" (2mm)
014683	B	650W	105	8.75" (222mm)	.41" (10mm)	.07" (2mm)
Series II						
016501	A	1125W	130	3.88" (98mm)	.41" (10mm)	—
016503	A	850W	80	3.88" (98mm)	.41" (10mm)	—
016502	B	600W	95	4.88" (124mm)	.41" (10mm)	.07" (2mm)
016504	B	650W	70	4.88" (124mm)	.41" (10mm)	.07" (2mm)
Series III						
017558	A	2050W	160	6.88" (175mm)	.59" (15mm)	—
017575	B	1450W	135	7.88" (200mm)	.59" (15mm)	.12" (3mm)

Accessories

Part Number	Description
057081	Open-loop (manual) power control 120-277V 25A

Stainless Steel Outer Shields - Open Ended

015509	For Series I heater	(P/N 014372)
057083	For Series I heater	(P/N 010226)
017853	For Series II heater	(P/N 016501, 016503)



057081